



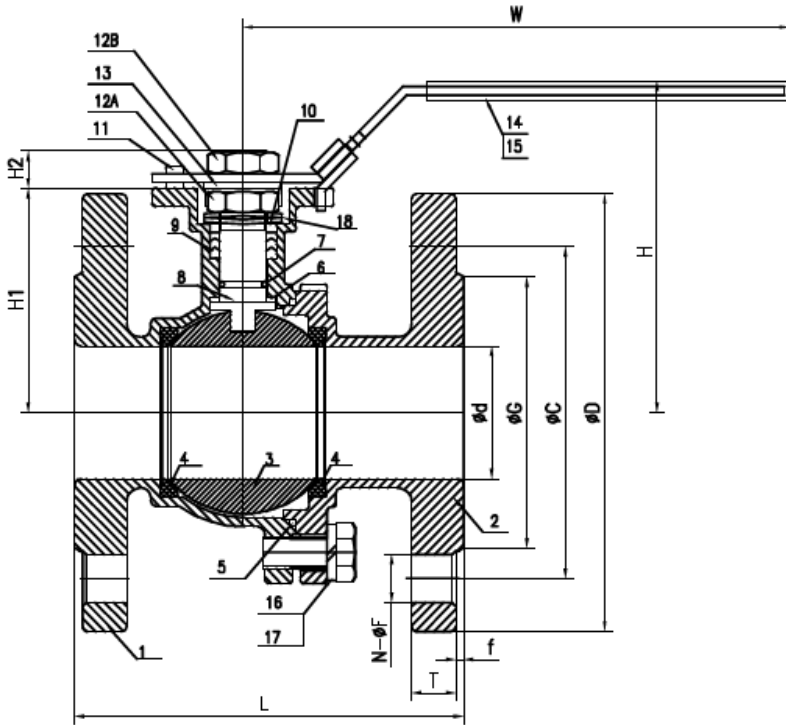
# Cangzhou Changyuan Fittings Co.,ltd

Add:No.26 Shigang Road,Development Zone,Cangzhou ,Hebei,China Pc:061000

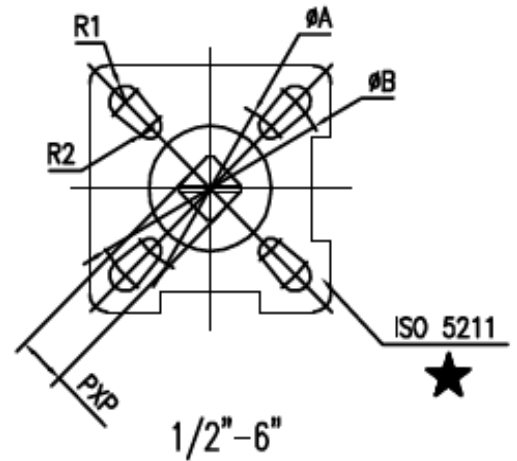
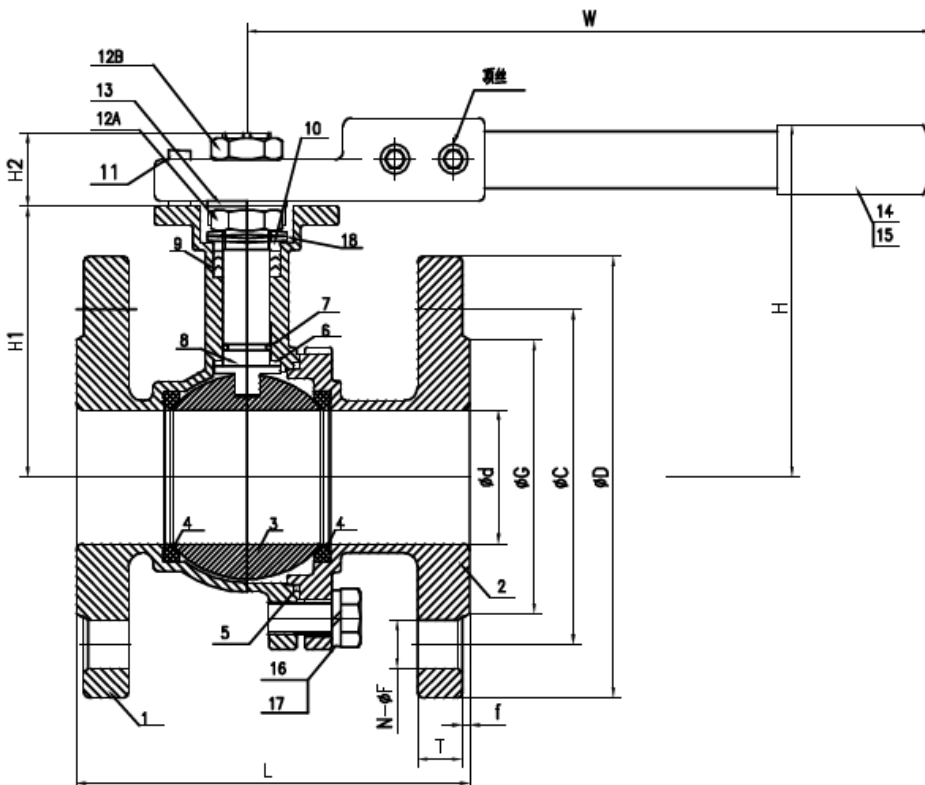
Http://www.con-well.com Email:con-well@vip.163.com sale@con-well.com

## 2PC FLANGED BALL VALVES , DIRECT MOUNTING PAD, PN16

### DN15-DN100



### DN125-DN150





# Cangzhou Changyuan Fittings Co.,Ltd

Add:No.26 Shigang Road,Development Zone,Cangzhou ,Hebei,China Pc:061000

Http://www.con-well.com Email:con-well@vip.163.com sale@con-well.com

## 2PC FLANGED BALL VALVES ,DIRECT MOUNTING PAD, PN16, Dimension list

ITEM	DESCRIPTION	MATERIAL
1	BODY	1.4308/1.4408
2	CAP	1.4308/1.4408
3	BALL	1.4308/1.4408
4	BALL SEAT	RPTFE
5	JOINT GASKET	PTFE
6	THRUST WASHER	PTFE
7	O-Ring	NBR
8	STEM	304
9	STEM PACKING	PTFE
10	FLAT PAD	304
11	STOP BOLT	304
12AB	NUT	304
13	WASHER	304
14	HANDLE	304/201
15	PLASTIC COVER	PLASTIC
16	BOLT	304
17	BOLT WASHER	304
18	BELLEVILLE WASHER	304



SIZE	PN16/PN40						PN16					
	DN15	DN20	DN25	DN32	DN40	DN50	DN65	DN80	DN100	DM125	DN150	
Φd	15	20	25	32	38	50	65	76	94	120	150	
ΦD	95	105	115	140	150	165	185	200	220	250	285	
ΦC	65	75	85	100	110	125	145	160	180	210	240	
ΦG	45	58	68	78	88	102	122	138	158	188	212	
N-ΦF	4-Φ14	4-Φ14	4-Φ14	4-Φ18	4-Φ18	4-Φ18	4-Φ18	8-Φ18	8-Φ18	8-Φ18	8-Φ22	
T	16	18	18	18	18	20	18	20	20	22	22	
f	2	2	2	2	3	3	3	3	3	3	3	
H1	49.5	54.5	59.5	72	78	86	100	111	140.8	161.5	184	
H2	9	9	11	11	14	14	17	17	22	40.5	40.5	
ΦA	36	36	42	42	50	50	70	70	70	102	102	
ΦB	42	42	50	50	70	70	102	102	102	125	125	
R1	3	3	3.5	3.5	4.5	4.5	5.5	5.5	5.5	5.5	5.5	
R2	3	3	3	3	3.5	3.5	4.5	4.5	4.5	6.5	6.5	
PXP	9	9	11	11	14	14	17	17	22	27	27	
H	80	85	95	108	114	124	148	158	189	242	270	
W	140	140	160	160	185	185	230	230	320	500	800	
L	115	120	125	130	140	150	170	180	190	325	350	